



User's Manual

DuraVision® PT-LAN51

Remote Controlled Pan & Tilt Head

Important







Please read this "User's Manual" carefully to familiarize yourself with safe and effective usage.

Please retain this manual for future reference.

-
- For the latest product information including the "User's Manual", refer to our web site :
www.eizoglobal.com
-

SAFETY SYMBOLS

This manual and this product use the safety symbols below. They denote critical information. Please read them carefully.

 WARNING	Failure to abide by the information in a WARNING may result in serious injury and can be life threatening.
 CAUTION	Failure to abide by the information in a CAUTION may result in moderate injury and/or property or product damage.
	Indicates a warning or caution. For example,  indicates an “electrical shock” hazard.
	Indicates a prohibited action. For example,  means “Do not disassemble”.

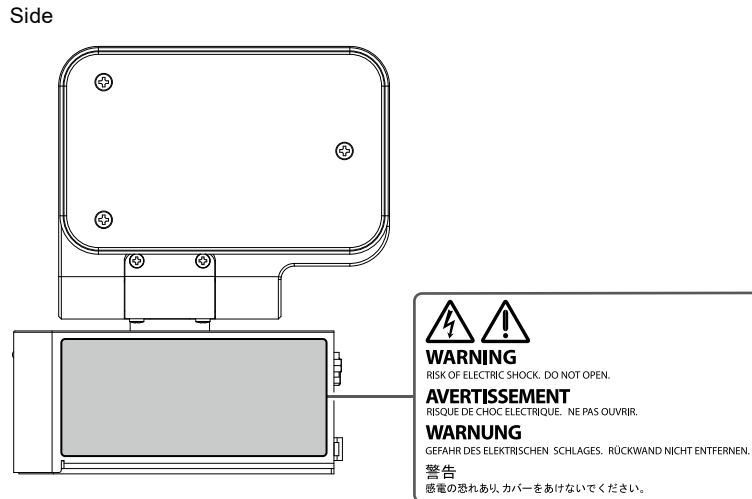
No part of this manual may be reproduced, stored in a retrieval system, or transmitted, in any form or by any means, electronic, mechanical, or otherwise, without the prior written permission of EIZO Corporation. EIZO Corporation is under no obligation to hold any submitted material or information confidential unless prior arrangements are made pursuant to EIZO Corporation's receipt of said information. Although every effort has been made to ensure that this manual provides up-to-date information, please note that EIZO product specifications are subject to change without notice.

PRECAUTIONS

IMPORTANT

- This product has been adjusted specifically for use in the region to which it was originally shipped. If operated outside this region, the product may not perform as stated in the specifications.
- To ensure personal safety and proper maintenance, please read carefully this section and the caution statements on the product.

Location of the Caution Statements



Symbols on the unit

Symbol	This symbol indicates	
	Main Power Switch:	Press to turn the monitor's main power off.
	Main Power Switch:	Press to turn the monitor's main power on.
	Direct current	
	Alerting electrical hazard	
	CAUTION:	Refer to "SAFETY SYMBOLS" (page 2).

WARNING

If the unit begins to emit smoke, smells like something is burning, or makes strange noises, disconnect the power immediately, shut off the power input, and contact your EIZO representative for advice.

Attempting to use a malfunctioning unit may result in fire, electric shock, or equipment damage.

Do not disassemble or modify the unit.

Opening the cabinet or modifying the unit may result in fire, electric shock, or burn.



Refer all servicing to qualified service personnel.

Do not attempt to service this product yourself as opening or removing covers may result in fire, electric shock, or equipment damage.

Keep small objects or liquids away from the unit.

Small objects accidentally falling through the ventilation slots into the cabinet or spillage into the cabinet may result in fire, electric shock, or equipment damage. If an object or liquid falls/spills into the cabinet, unplug the unit immediately. Have the unit checked by a qualified service engineer before using it again.



Properly install the product at a durable and stable place.

Install the product at a place that is strong enough to withstand the weight in accordance with the Instructions for Use. If the unit is installed incorrectly, it may drop or fall over, resulting in personal injury or equipment damage.

Use the unit in an appropriate location.

Otherwise, fire, electric shock, or equipment damage may result.

- Do not place outdoors.
- Mounting in locations subject to strong vibrations or impacts
- Do not place in dusty or humid environments.
- Do not place in locations where water may be splashed on the screen (bathrooms, kitchens, etc.).
- Do not place in locations where steam comes in direct contact with the screen.
- Do not place near heat generating devices or humidifiers.
- Do not place in locations where the product is subject to direct sunlight.
- Do not place in environments with inflammable gas.
- Do not place in environments with corrosive gases (such as sulfur dioxide, hydrogen sulfide, nitrogen dioxide, chlorine, ammonia, and ozone).
- Do not place in environments with dust, components that accelerate corrosion in the atmosphere (such as sodium chloride and sulfur), conductive metals, and so on.



To avoid danger of suffocation, keep plastic packing bags away from babies and children.

When using an AC adapter, use the AC adapter specified by our company.

Using other AC adapters may result in fire or electrical shock.

Prepare a power cord that complies with the standards of the country or region where this product is used.

- Europe: Ratings: 250 VAC, 10 A; Cord type: H05VV-F, GTCE-3, 0.75 mm²
- USA: Ratings: 125 VAC, 10 A; Cord type: SVT, 3/18AWG (0.75 mm²)

To disconnect the power cord or adapter power cable, grasp the plug firmly and pull.

Tugging on the cord or cable may damage it and result in fire or electric shock.



The equipment must be connected to a grounded main outlet.

Failure to do so may result in fire or electric shock.





WARNING

Use the correct voltage.

- The unit is designed for use with a specific voltage only. Connection to another voltage than specified in this User's Manual may cause fire, electric shock, or equipment damage.
 - Do not overload your power circuit, as this may result in fire or electric shock.
-

Handle the power cord and AC adapter with care.

Do not place heavy objects on, pull or tie the power cord or the AC adapter. Using a damaged cord or AC adapter may result in fire or electric shock.



Never touch the plug, AC adapter or power cord during a thunderstorm.

Touching them may result in electric shock.



Handle the batteries for the remote control with care.

Not doing so may result in battery explosion, liquid leakage, or burns.

- In case of swallowing a battery, seek medical attention immediately.
 - If battery fluid gets on your skin or clothes, wash it off with clean water
 - If battery fluid gets into your eyes, immediately wash it off with clean water and consult a doctor
 - Only use specified batteries (batteries for the included remote control)
 - Install/change batteries in a correct way.
 - Insert batteries with correct direction of the plus (+) and minus (-) sides.
 - When replacing batteries, use ones of the same type and model.
 - When replacing batteries, replace all of them at the same time with new batteries of the same brand and type.
 - Remove used-up batteries promptly from the remote controller.
 - Remove the batteries from the remote controller if it will not be used for a long period of time
 - Do not use the battery with coating damaged.
 - Do not disassemble, heat, short-circuit, or immerse the provided batteries in water.
 - Do not recharge the primary batteries
 - Dispose used batteries according to local regulations and guidelines
-

Keep the batteries for the remote control away from babies and children.

Accidental swallowing of the batteries may cause choking or poisoning. In the event the batteries are swallowed, immediately consult a physician.

For installment in high locations, ask for the help of a professional.

When installing this product in a high location, there is a risk of the product or its parts falling and causing injury. Ask for help from us or from a professional who specializes in construction work when installing the monitor, including an inspection of the product for any damage or deformities both before and after installing the monitor.

Never touch when the pan/tilt operation is working.

Otherwise, it may cause injury or malfunction.



Do not move the pan/tilt drive unit by hand.

Otherwise, it may cause injury or malfunction. Make sure to use the remote control or control commands to move it.





CAUTION

Hold the stand of the product when moving it.

Holding the camera mounting base or pan base may cause injury or malfunction.

Handle with care when carrying the unit.

Disconnect the power cord and cables when moving the unit. Moving the unit with the power cord or cables attached is dangerous and may result in injury.

Do not touch the plug or AC adapter with wet hands.

Doing so may result in electrical shock.



Use an easily accessible power outlet.

This is to facilitate disconnecting the power in case of a problem.

The AC adapter becomes hot during use.

- Do not touch the AC adapter while it is energized. Touching it may cause a low temperature burn.
- Do not cover or place anything on top of the AC adapter. Do not place the AC adapter on top of things that trap heat such as carpets, blankets, etc. Keep the AC adapter away from direct sunlight and heat sources. Failure to do so may result in fire.
- Before moving the monitor, be sure to turn off the power switch, disconnect the power plug from the power outlet, and wait until it has cooled completely.



Do not suspend the AC adapter in midair.

Using the adapter while it is hanging suspended may result in fire or electrical shock.



Do not apply impact to the product or drop it from a height.

Using the adapter after it has been subjected to impact may result in fire or electrical shock.



Periodically clean the area around the power plug and power connector.

Dust, water, or oil on the plug and connector may result in fire.

Unplug the unit before cleaning it.

Cleaning the unit while it is plugged into a power outlet may result in electric shock.

If you plan to leave the unit unused for an extended period of time, for safety and energy saving, shut off the power input after disconnecting the power.

Periodically check the tightening of screws.

If not sufficiently tight, the main unit may detach, which may result in injury or malfunction.

Notice for this product

About the Usage of This Product

This product is a pan/tilt head capable of mounting cameras and is intended for indoor surveillance purposes.

It is not intended for use in the following purposes that require extremely high reliability and safety.

Please refrain from using it for such purposes.

- Safety devices (Disaster prevention systems, security control systems, etc.)
- Life-critical devices (medical devices, such as life-support devices and operating room devices)
- Nuclear energy control devices (Nuclear energy control systems, security control systems of nuclear facilities, etc.)
- Major system communication devices (operation control systems of transportation systems, air traffic control systems, etc.)

This product has been adjusted specifically for use in the region to which it was originally shipped. If the product is used outside the region, it may not operate as specified in the specifications.

This product may not be covered by warranty for uses other than those described in this manual.

The specifications noted in this manual are only applicable when using the AC adapters and signal cables specified by EIZO.

Only use optional products manufactured or specified by us with this product.

About the Installation

When the product is cold and brought into a room or the room temperature goes up quickly, dew condensation may occur on the interior and exterior surfaces of the product. In that case, do not turn the product on. Instead wait until the dew condensation disappears, otherwise it may cause some damage to the product.

Cleaning

Periodic cleaning is recommended to keep the product looking new and to prolong its operation lifetime. Stains on the product can be removed by moistening part of a soft cloth with water or by using our ScreenCleaner and gently wiping.

Attention

- Do not let liquids come into direct contact with the product. If it does, wipe it off immediately.
 - Do not allow liquids to get into gaps or inside the product.
 - When using chemicals for cleaning or disinfection, chemicals such as alcohol and disinfectant may cause gloss variation, tarnishing, and fading of the product, and also quality deterioration of the displayed image. Do not use chemicals on a frequent basis.
 - Never use a thinner, benzene, wax, or abrasive cleaner as they may damage the product.
 - For more information on cleaning and disinfection, please refer to our web site.
How to check: Access www.eizoglobal.com and type "disinfect" in the site search box to search.
-

Network Security Request

Because this product is used by connecting to networks, the following risks apply

1. Unauthorized operation of this product by a malicious third party.
2. Interference or suspension of the use of this product by a malicious third party.

In order to prevent the above described damage, it is the user's responsibility to implement adequate network security measures including the measures described below.

- Use this product with a safety-ensured network by using a firewall or other network security systems.
- Check for communication problems in advance.

CONTENTS

PRECAUTIONS	3
IMPORTANT	3
Notice for this product	7
Cleaning	8
Network Security Request	8
CONTENTS	9
Chapter 1 Introduction	10
1-1. Features	10
1-2. Package Contents	10
1-3. Controls and Functions	11
Chapter 2 Setup	14
2-1. Attaching the Camera to the Camera Mounting Base	14
2-2. Installing	15
● Installation conditions	15
● Mounting method	16
2-3. Connecting	17
2-4. Preparing the Remote Control	18
Chapter 3 Troubleshooting	19
Chapter 4 Note	20
4-1. External control	20
4-2. Specifications	20
4-3. Pin Specifications	21
4-4. Dimensions	21
4-5. Remote Control Specifications	22
4-6. Accessories	23
Appendix	24
Trademark	24
License	24
Warning for Radio interference	25
LIMITED WARRANTY	26

Chapter 1 Introduction

1-1. Features

A pan/tilt head capable of mounting a video camera, laser measuring device, and other equipment. It supports LAN / RS-232C control, which allows a low-cost remote control system to be built.

- **Pan (maximum range of motion $\pm 170^\circ$) and tilt (maximum range of motion $\pm 174^\circ$) mechanism**
- **High-precision movement with a stepping motor**
- **Delicate speed control**
- **Various controls can be performed from a computer via LAN or RS-232C**
- **PoE+ compatible**
- **DC 12 V output terminal**
- **Can mount equipment up to 1.5 kg**

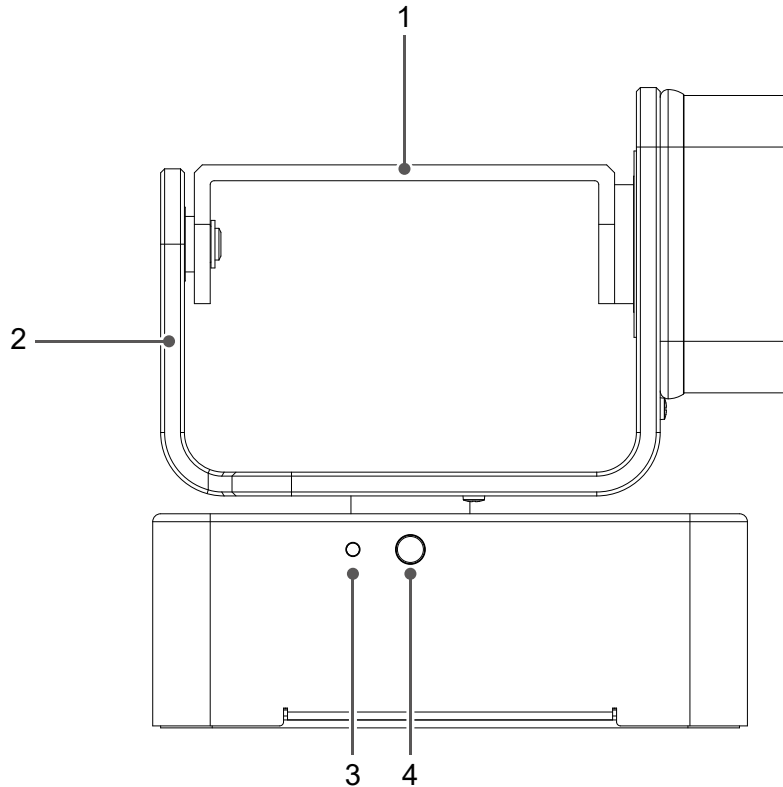
1-2. Package Contents

Check that all of the following items are contained in the package. If any of these are missing or damaged, contact your dealer or local EIZO representative.

- Main unit
- IR remote control
- 2 AAA alkaline batteries for the remote control
- User's Manual (this document)
- Rubber sheet
- Customer Service Representative Information

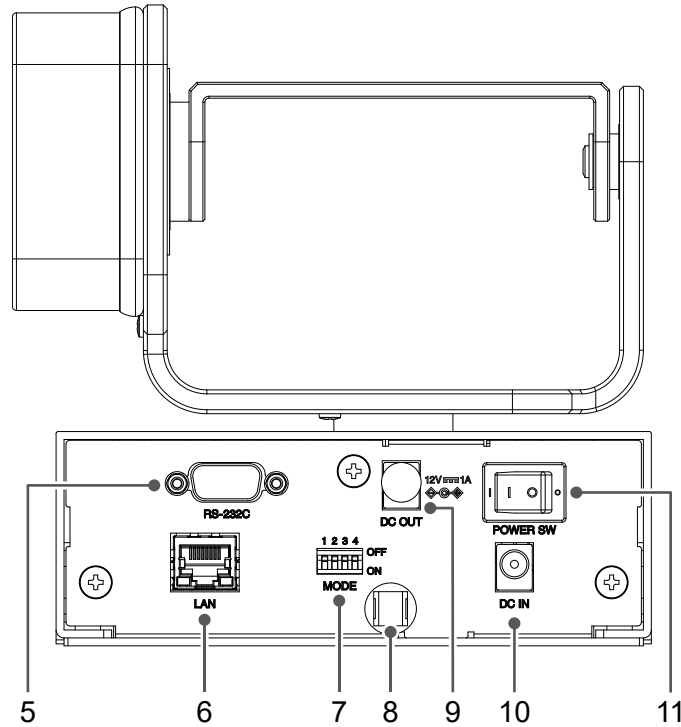
1-3. Controls and Functions

Front



1. Camera mounting base (with tilt function)	Secure the camera or device using a screw. This is the part that moves during tilt operations. The factory default setting for the rotation range is $\pm 30^\circ$.
2. Pan base	This is the part that moves during pan operations. The factory default setting for the rotation range is $\pm 170^\circ$.
3. LED	The LED lights up depending on the operating status. Off: Power off Lit green: Power on (idle) Lit red: Tally lamp on Lit orange: Setting the rotation speed for pan/tilt operations and performing pan/tilt operations Blinking orange, green: Saving the current pan/tilt position Blinking orange: Moving the pan/tilt position to the original point Blinking green: Startup processing immediately after power-on
4. IR sensor (Remote control receiver)	The infrared receiving sensor of the remote control. Do not block the infrared receiving sensor.

Back

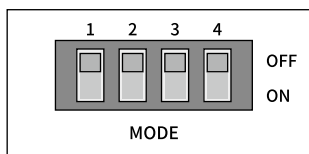


5. RS-232C (D-Sub 9 pin male)	Connects a crossover RS-232C cable. You can connect to a computer and perform external control via commands.
6. LAN port (RJ-45 connector)	Connects a shielded LAN cable. When connected to a PoE+ compatible network hub, it will be powered through PoE. In addition, you can connect to a computer and perform external control via commands.
7. MODE switch	DIP switch that switches the settings of the main unit. If you switch the MODE switch, make sure to turn off the power and then turn it back on to apply the new settings. For details on the MODE switch, refer to “MODE switch details” (page 13).
8. Cable tie holder	When using an AC adapter, attach a cable tie (commercially available) to prevent the AC adapter cable from disconnecting.
9. DC output terminal^{*1}	It can supply 12V / 1A power to cameras and other devices. A cap is attached to the terminal in the factory default state. Remove the cap when using. Attention <ul style="list-style-type: none"> Do not connect a device with an input power supply other than DC 12V / 1A. The connected device may malfunction.
10. DC input terminal	Connects the AC adapter (sold separately).
11. Power switch^{*2}	Turns the power on or off.

*1 When powered by PoE+, it cannot provide power output.

*2 When powered by PoE+, the device will be operational regardless of the power on/off status.

MODE switch details

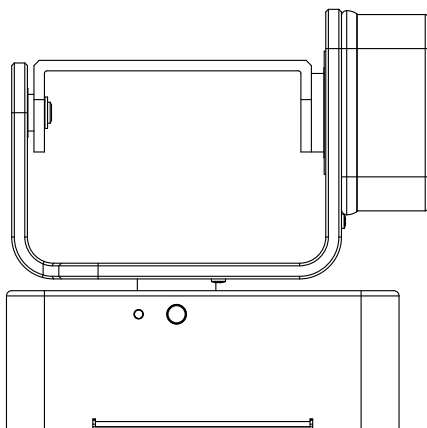


No.	Mode		
1	-	OFF	Always set this to OFF when using
		ON	
2	Stage mode	OFF	The upward direction is set as the original position
		ON	The downward direction is set as the original position
3	-	OFF	Always set this to OFF when using
		ON	
4	-	OFF	Always set this to OFF when using
		ON	

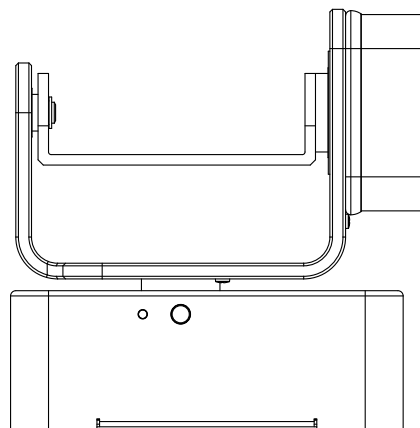
Stage mode

The position of the camera mounting base (with tilt function) can be inverted.

Stage mode: OFF



Stage mode: ON



You can switch the position of the camera mounting base by following the steps below.

1. Turn off the power.
2. Switch the "Stage mode" on the DIP switch.
3. Turn on the power.
4. Perform the operation to reset the pan/tilt position to the original position (long press the ORIGIN button on the remote control).

Attention

- Please make sure that there are no objects placed on the camera mounting base when performing these steps, as the base will automatically rotate during the process.

Chapter 2 Setup

2-1. Attaching the Camera to the Camera Mounting Base

1. Secure the camera to the camera mounting base using mounting screws (commercially available).

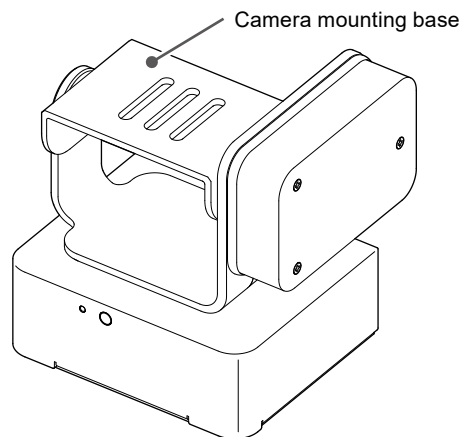
Adjust the mounting position so that the center of gravity of the camera aligns with the center of the camera mounting base.

Attention

- Prepare a camera that is less than the maximum supported weight of 1.5 kg.
- Prepare mounting screws that are suitable for the screw hole of your camera.
 - Thickness of the camera mounting base: 4 mm
 - Thickness of the rubber sheet: 2 mm
- When using, make sure to securely fasten the mounting screws to prevent the camera from coming loose.
- If necessary, place the included rubber sheet between the camera and the camera mounting base.
- Do not press down on the pan/tilt drive unit strongly or try to move it forcibly.

Note

- By switching the MODE switch, you can invert the position of the camera mounting base. For details, refer to “MODE switch details” (page 13).
-



2. Make sure the mounted camera is firmly secured.

Attention

- Make sure that the mounted camera does not come into contact with the main unit of the product or surrounding objects when pan/tilt operations are performed. If contact cannot be avoided, operate it within the range of motion while considering the clearance.
 - Periodically check the tightness of the screws. If not sufficiently tight, the camera may detach, which may result in injury or malfunction.
-

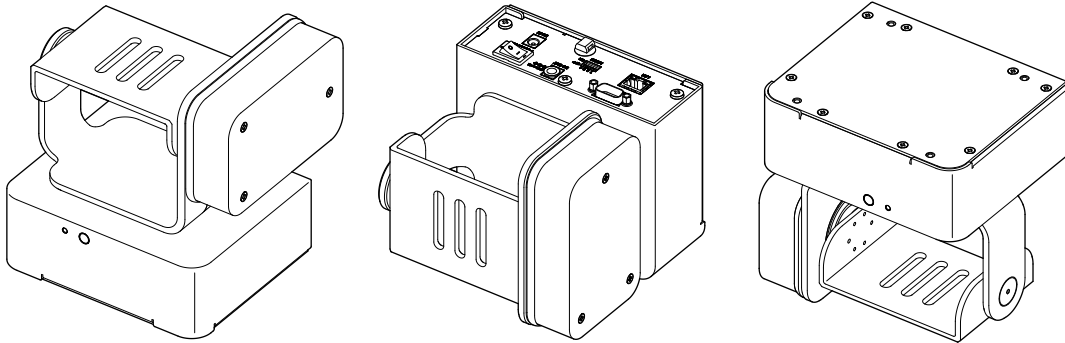
2-2. Installing

● Installation conditions

Install this product in a secure and stable place that can adequately support its weight and ensure its stability.

Always turn off the power, follow “PRECAUTIONS” (page 3), install in an appropriate environment, and ensure that it is securely fixed in place.

The directions in which this product can be installed are shown below.



Attention

- Ensure that the mounting fixture meets the following requirements.
 - Clearance between the screw holes: 100 mm x 100 mm
 - Weight capacity: Must be able to withstand the combined weight of this product, the camera, and any attached accessories such as cables
-

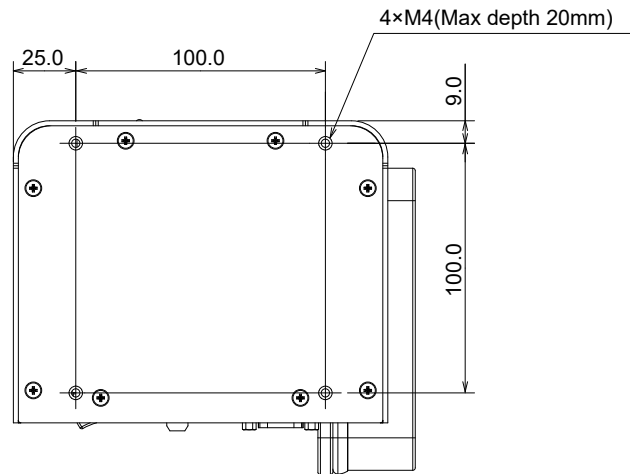
● Mounting method

1. Secure the mounting fixture to the four screw holes on the bottom of the product using mounting screws (commercially available).

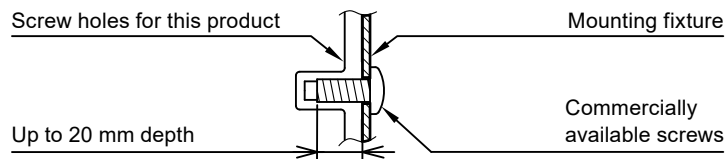
Tightening torque: 1.0 N·m to 1.4 N·m

Tool to use: Phillips screwdriver (No. 2)

Bottom



Length of mounting screw (commercially available)



Attention

- Be sure to observe the tightening torque. Improper tightening can lead to damage at the mounting points, posing a risk of injury or malfunction.
- Take appropriate measures to prevent loosening. Otherwise, it may cause injury or malfunction.
- Connect the cables after installing the mounting fixture.
- Due to its weight, dropping or mishandling this product can result in injuries or malfunctions.

2. Make sure that the product is securely fastened and does not fall or become loose.

Attention

- Make sure that the mounted camera does not come into contact with the product or surrounding objects when pan/tilt operations are performed. If contact cannot be avoided, operate it within the range of motion while considering the clearance.
- Periodically check the tightness of the screws. If not sufficiently tight, the camera may detach, which may result in injury or malfunction.

2-3. Connecting

1. Connect this product to a network hub using a shielded LAN cable.

If the network hub supports PoE+, the product will be powered by the network hub and LED on the front will light up.

Note

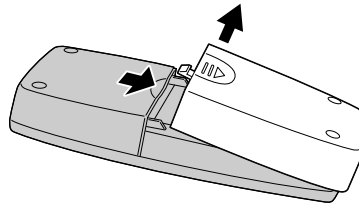
- If the network hub does not support PoE+, use the AC adapter (sold separately). Follow the steps below to connect.
 1. Connect the power cord to the AC adapter.
 2. Connect the output terminal of the AC adapter to the DC input terminal of this product (insert it firmly all the way in).
 3. Attach the AC adapter cable to the cable tie (commercially available) and secure it to the cable tie holder.
 4. Connect the power plug to the power outlet.
 5. Turn on the power switch on the back and power on the device.
 - If you use the AC adapter while connected to a network hub that supports PoE+, power will be supplied from the AC adapter.
-

2. If you want to perform external control using commands, connect this product to a computer using either a crossover RS-232C cable or a shielded LAN cable.

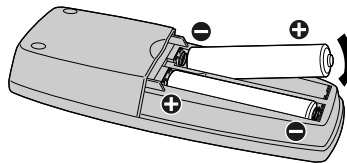
For information on external control, refer to “4-1. External control” (page 20).

2-4. Preparing the Remote Control

1. Remove the cover.

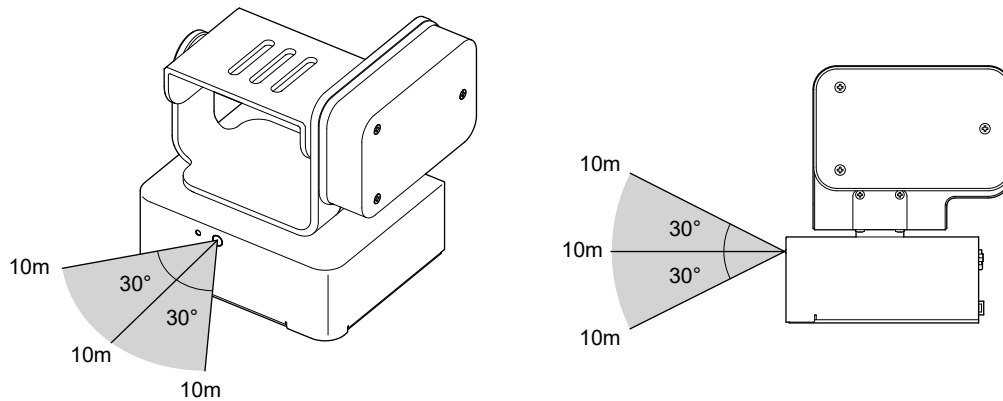


2. Insert AAA batteries and place the cover back on.



Attention

- Use the remote control within the range shown in the following figure.



Chapter 3 Troubleshooting

LED status	Cause and countermeasures
Off	<ul style="list-style-type: none">• Turn on the power switch.• Check whether the power cord is connected properly. Connect the AC adapter or a PoE+ compatible network hub.• Is the AC adapter or power cord of the network hub properly connected?
2 red blinks, 1 orange blink	<ul style="list-style-type: none">• The power supply is insufficient because it is connected to a PoE compatible network hub. Connect the AC adapter or a PoE+ compatible network hub.• The DC input voltage is insufficient. Set the input voltage to DC 12V.
2 red blinks, 2 orange blinks	<ul style="list-style-type: none">• The main circuit board is malfunctioning. Contact your local EIZO representative.
Blinking in red	<ul style="list-style-type: none">• Indicates that pan/tilt operations are in an emergency stop state. Press the ORIGIN button on the remote control to return the pan/tilt position to its original position.
3 red blinks, 1 orange blink	<ul style="list-style-type: none">• The inside of the product is hot. Check the temperature around the product.
4 red blinks, 1 orange blink	<ul style="list-style-type: none">• Indicates that memory cannot be accessed. Contact your local EIZO representative.

Chapter 4 Note

4-1. External control

If you connect this product to a computer, you can perform detailed settings using commands.

There are two ways to connect to a computer.

- Connect via RS-232C
Use an crossover RS-232C cable
- Connect using a shielded LAN cable
The factory default IP address is "192.168.1.100". To change the IP address, connect via RS-232C to change the setting.

For details, refer to "External Control Command Specifications" for PT-LAN51. "External Control Command Specifications" can be downloaded from the EIZO website (www.eizoglobal.com).

4-2. Specifications

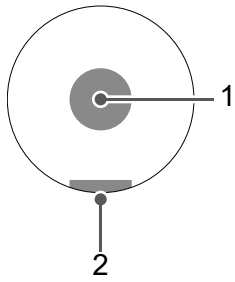
External control interface	RS-232C		Port: D-Sub 9 pin male
	LAN		RJ-45 (100BASE-TX)
Power	PoE+ input	Standard	IEEE 802.3at Type2 (PoE+)
		Power voltage	DC 42.5 V – 57 V
		Maximum power consumption	25.5 W or less
		Maximum input current	Up to 0.6 A
	DC input	Power voltage	DC 12 V ± 10%
		Maximum power consumption	36 W or less
		Maximum input current	Up to 3.0 A
	DC output	Power voltage	DC 12 V ± 10%
		Maximum output current	1.0 A or less
Physical specifications	Dimensions (W x H x D)		161.0 mm x 161.5 mm x 142.0 mm
	Net weight		Approx. 2.5 kg
	Tilt	Rotation range	± 174° (factory default: ± 30°)*1
		Rotation speed	0.4°/sec – 50°/sec
	Pan	Rotation range	± 170° (factory default: ± 170°)*1
		Rotation speed	0.4°/sec – 50°/sec
	Mountable equipment weight		1.5 kg or less*2
Operating environmental requirements	Temperature		-10 °C – 50 °C
	Humidity		10 % – 90 % R.H. (no dew condensation)
	Air pressure		540 hPa – 1060 hPa
Transport / Storage conditions	Temperature		-20 °C – 60 °C
	Humidity		10 % – 90 % R.H. (no dew condensation)
	Air pressure		200 hPa – 1060 hPa

*1 This can be changed by setting commands from the external control interface (RS-232C/LAN).

*2 Mount the camera so that its center of gravity is in the center of the camera mounting base.

4-3. Pin Specifications

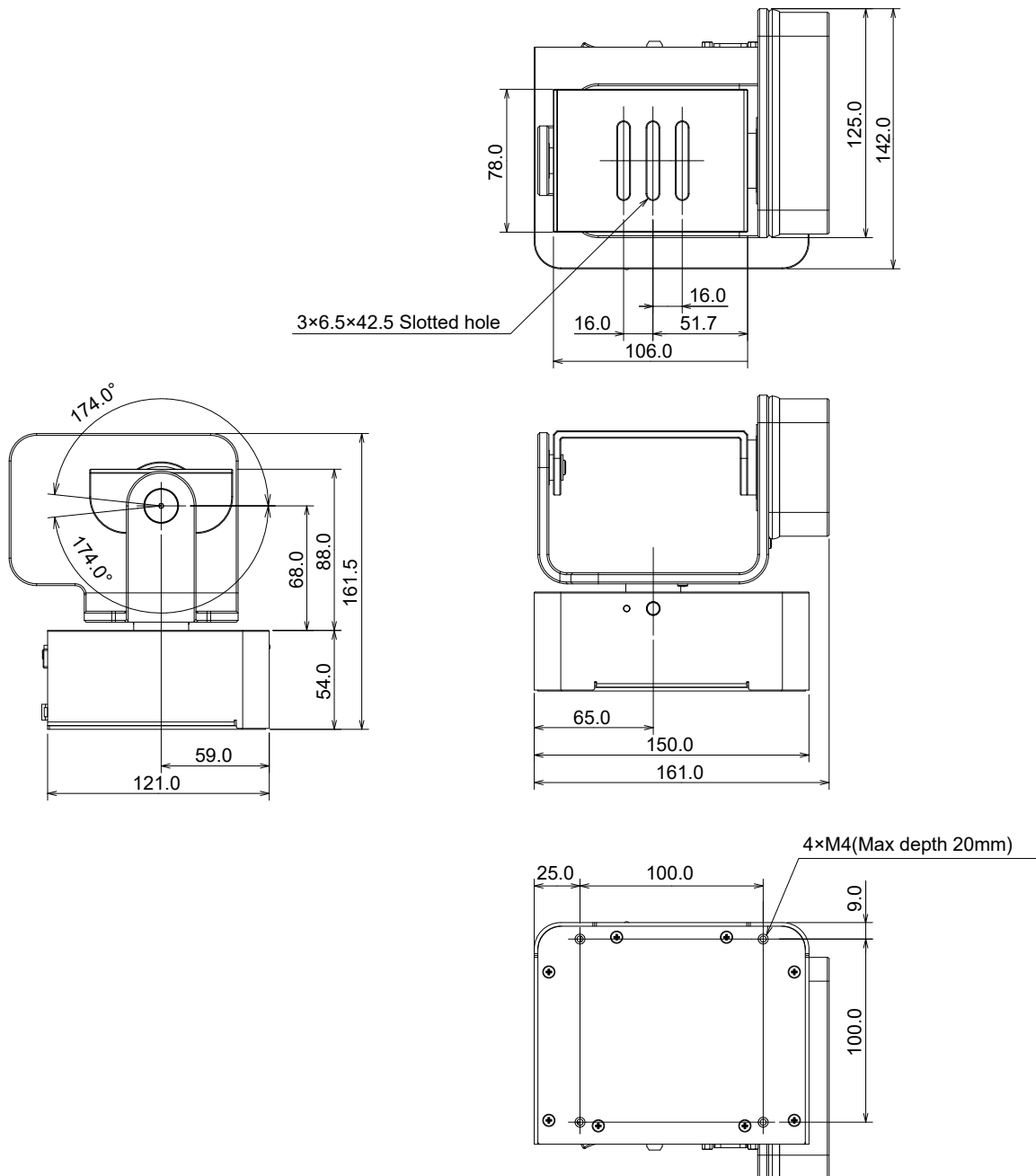
● DC output terminals



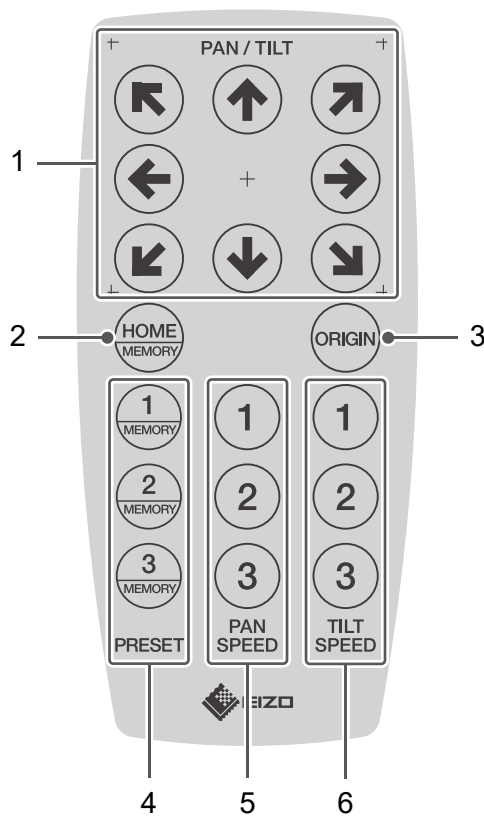
Pin No.	Signal name
1	DC 12 V
2	GND (Ground)

4-4. Dimensions

Unit: mm



4-5. Remote Control Specifications



Name	Description	
	Short press	Long press
1. PAN / TILT	Used for pan/tilt operations.	
2. HOME / MEMORY	Moves to the saved pan/tilt position.* ¹	Saves the current pan/tilt position.
3. ORIGIN	-	Returns the pan/tilt position to the original position.
4. PRESET	Moves to the saved pan/tilt position.* ¹	Saves the current pan/tilt position.
5. PAN SPEED^{*2}	Sets the rotation speed for pan operations. 1: High speed 2: Middle speed (default) 3: Low speed	-
6. TILT SPEED^{*2}	Sets the rotation speed for tilt operations. 1: High speed 2: Middle speed (default) 3: Low speed	-

*1 Pan/tilt positions are not saved by default.

*2 Each speed can be changed by setting commands from the external control interface (RS-232C/LAN).

Attention

- Two or more buttons cannot be operated at the same time.

4-6. Accessories

The following accessories are sold separately.
For the latest information about accessories, refer to the EIZO web site.
www.eizoglobal.com

AC adapter	DVAC-02
------------	---------

Appendix

Trademark

DisplayPort, the DisplayPort Compliance Logo and VESA are trademarks of the Video Electronics Standards Association in the United States and other countries.

EIZO, the EIZO Logo, ColorEdge, CuratOR, DuraVision, FlexScan, FORIS, RadiCS, RadiForce, RadiNET, Raptor and ScreenManager are registered trademarks of EIZO Corporation in Japan and other countries.

ColorEdge Tablet Controller, ColorNavigator, EcoView NET, EIZO EasyPIX, EIZO Monitor Configurator, EIZO ScreenSlicer, G-Ignition, i•Sound, Quick Color Match, RadiLight, Re/Vue, SafeGuard, Screen Administrator, Screen InStyle, ScreenCleaner, SwitchLink and UniColor Pro are trademarks of EIZO Corporation.

All other company names, product names, and logos are trademarks or registered trademarks of their respective owners.

License

This product contains open source software.

If open source software that is licensed under the terms of the GPL (GNU GENERAL PUBLIC LICENSE) is included, we will distribute the source code corresponding to the GPL software on a CD-ROM or other medium at actual cost for at least three years after purchase to any individual or organization that contacts us at the contact information below, in accordance with the terms of the GPL license.

In addition, if the source code includes material licensed under the terms of the LGPL (GNU LESSER GENERAL PUBLIC LICENSE), the source code will be distributed in the same manner as the GPL described above.

Contact information

www.eizoglobal.com/contact/index.html

*Contact your local EIZO representative.

Except for open source software licensed under GPL/LGPL or otherwise, the software contained in this product may not be transferred, copied, disassembled, decompiled, or reverse engineered. In addition, export of any software contained in this product in violation of export laws and regulations is prohibited.

Warning for Radio interference

For U.S.A., Canada Only

FCC Supplier's Declaration of Conformity

We, the Responsible Party

EIZO Inc.

5710 Warland Drive, Cypress, CA 90630

Phone: (562) 431-5011

declare that the product

Trade name: EIZO

Model: DuraVision PT-LAN51

is in conformity with Part 15 of the FCC Rules. Operation of this product is subject to the following two conditions: (1) this device may not cause harmful interference, and (2) this device must accept any interference received, including interference that may cause undesired operation.

WARNING!

This equipment has been tested and found to comply with the limits for a Class A digital device, pursuant to Part 15 of the FCC Rules. These limits are designed to provide reasonable protection against harmful interference when the equipment is operated in a commercial environment. This equipment generates, uses, and can radiate radio frequency energy and if not installed and used in accordance with the instruction manual, may cause harmful interference to radio communications. Operation of this equipment in a residential area is likely to cause harmful interference in which case the user will be required to correct the interference at his own expense.

Changes or modifications not expressly approved by the party responsible for compliance could void the user's authority to operate the equipment.

Note

Use the attached specified cable below or EIZO signal cable with this monitor so as to keep interference within the limits of a Class A digital device.

- AC Adapter
- Shielded Signal Cable (enclosed)

Canadian Notice

This Class A information technology equipment complies with Canadian ICES-003.

Cet équipement informatique de classe A est conforme à la norme NMB-003 du Canada.

For Europe, Australia, New Zealand, etc Only

Warning

Operation of this equipment in a residential environment could cause radio interference.

Warnung

Der Betrieb dieses Geräts in einer Wohnumgebung könnte Funkstörungen verursachen.

Avertissement

L'utilisation de cet équipement dans une zone résidentielle pourrait provoquer des interférences radio.

LIMITED WARRANTY

EIZO Corporation (hereinafter referred to as “**EIZO**”) and distributors authorized by EIZO (hereinafter referred to as the “**Distributors**”) warrant, subject to and in accordance with the terms of this limited warranty (hereinafter referred to as the “**Warranty**”), to the original purchaser (hereinafter referred to as the “**Original Purchaser**”) who purchased the product specified in this document (hereinafter referred to as the “**Product**”) from EIZO or Distributors, that EIZO and Distributors shall, at their sole discretion, either repair or replace the Product at no charge if the Original Purchaser becomes aware within the Warranty Period (defined below) that the Product malfunctions or is damaged in the course of normal use of the Product in accordance with the description in the instruction manual of the Product (hereinafter referred to as the “**User’s Manual**”).

The period of this Warranty is two (2) years from the date of purchase of the Product (hereinafter referred to as the “**Warranty Period**”). EIZO and Distributors shall bear no liability or obligation with regard to the Product in relation to the Original Purchaser or any third parties other than as provided under this Warranty.

EIZO and Distributors will cease to hold or store any parts (excluding design parts) of the Product upon expiration of five (5) years after the production of the Product is discontinued. In repairing the Product, EIZO and Distributors will use renewal parts which comply with our QC standards. If the unit cannot be repaired due to its condition or the stockout of a relevant part, EIZO and Distributors may offer the replacement by a product with equivalent performance instead of repairing it.

The Warranty is valid only in the countries or territories where the Distributors are located. The Warranty does not restrict any legal rights of the Original Purchaser.

Notwithstanding any other provision of this Warranty, EIZO and Distributors shall have no obligation under this Warranty whatsoever in any of the cases as set forth below:

- (a) Any defect of the Product caused by freight damage, modification, alteration, abuse, misuse, accident, incorrect installation, disaster, adherent dust, faulty maintenance and/or improper repair by third party other than EIZO and Distributors;
- (b) Any incompatibility of the Product due to possible technical innovations and/or regulations;
- (c) Any deterioration of sensor, including measurement value of the sensor;
- (d) Any defect of the Product caused by external equipments;
- (e) Any defect of the Product caused by the use under environmental conditions not anticipated by EIZO;
- (f) Any deterioration of the attachments of the Product (e.g. cables, User’s Manual, CD-ROM, etc.);
- (g) Any deterioration of the consumables, and/or accessories of the Product (e.g. batteries, remote controller, touch pen, etc.);
- (h) Any deformation, discoloration, and/or warp of the exterior of the Product;
- (i) Any defect of the Product caused by placement in a location where it may be affected by strong vibration or shocks;
- (j) Any deterioration or malfunction of the cooling fan caused by adherent dust.

To obtain service under the Warranty, the Original Purchaser must deliver the Product, freight prepaid, in its original package or other adequate package affording an equal degree of protection, assuming the risk of damage and/or loss in transit, to the local Distributor. The Original Purchaser must present proof of purchase of the Product and the date of such purchase when requesting services under the Warranty.

The Warranty Period for any replaced and/or repaired product under this Warranty shall expire at the end of the original Warranty Period.

EIZO OR DISTRIBUTORS ARE NOT RESPONSIBLE FOR ANY DAMAGE TO, OR LOSS OF, DATA OR OTHER INFORMATION STORED IN ANY MEDIA OR ANY PART OF ANY PRODUCT RETURNED TO EIZO OR DISTRIBUTORS FOR REPAIR.

EIZO AND DISTRIBUTORS MAKE NO FURTHER WARRANTIES, EXPRESSED OR IMPLIED, WITH RESPECT TO, INCLUDING, WITHOUT LIMITATION, THE PRODUCT AND ITS QUALITY, PERFORMANCE, MERCHANTABILITY OR FITNESS FOR ANY PARTICULAR USE. IN NO EVENT SHALL EIZO OR DISTRIBUTORS BE LIABLE FOR ANY INCIDENTAL, INDIRECT, SPECIAL, CONSEQUENTIAL OR OTHER DAMAGE WHATSOEVER (INCLUDING, WITHOUT LIMITATION, DAMAGES FOR LOSS OF PROFIT, BUSINESS INTERRUPTION, LOSS OF BUSINESS INFORMATION, OR ANY OTHER PECUNIARY LOSS) ARISING OUT OF THE USE OR INABILITY TO USE THE PRODUCT OR IN ANY CONNECTION WITH THE PRODUCT, WHETHER BASED ON CONTRACT, TORT, NEGLIGENCE, STRICT LIABILITY OR OTHERWISE, EVEN IF EIZO OR DISTRIBUTORS HAVE BEEN ADVISED OF THE POSSIBILITY OF SUCH DAMAGES. THIS EXCLUSION ALSO INCLUDES ANY LIABILITY WHICH MAY ARISE OUT OF THIRD PARTY CLAIMS AGAINST THE ORIGINAL PURCHASER. THE ESSENCE OF THIS PROVISION IS TO LIMIT THE POTENTIAL LIABILITY OF EIZO AND DISTRIBUTORS ARISING OUT OF THIS LIMITED WARRANTY AND/OR SALES.



EIZO Corporation

153 Shimokashiwano, Hakusan, Ishikawa 924-8566 Japan

EIZO Europe GmbH

Belgrader Straße 2, 41069 Mönchengladbach, Germany

www.eizoglobal.com

00N0N403A1
UM-PT-LAN51